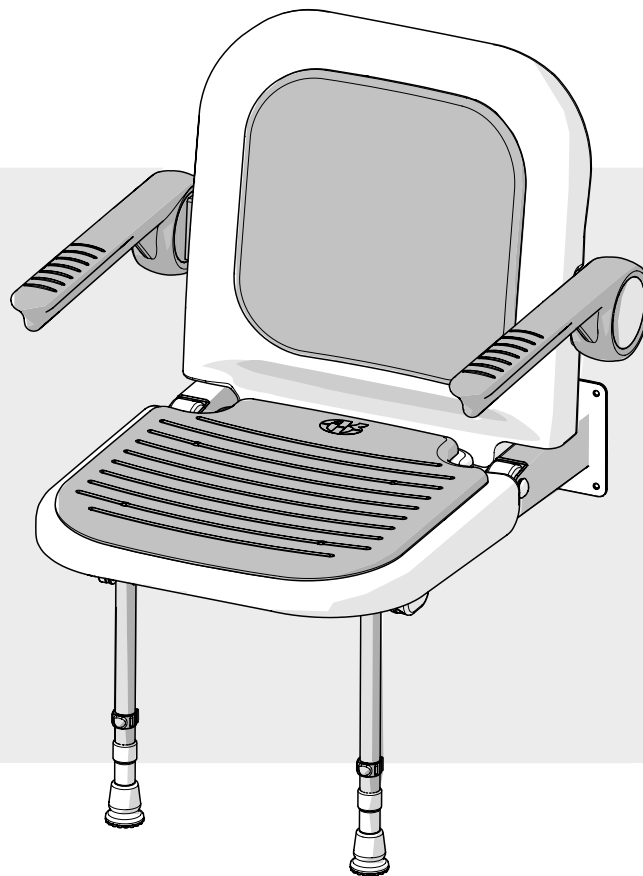


AKW[®]
Life Made Better

4000 Series Range

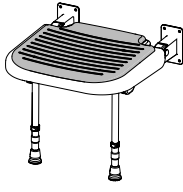
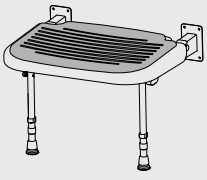
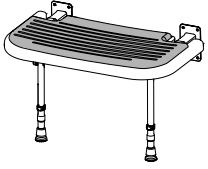
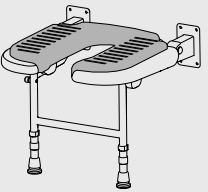
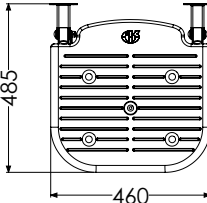
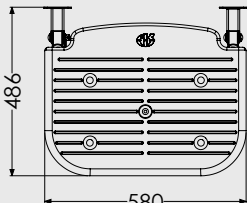
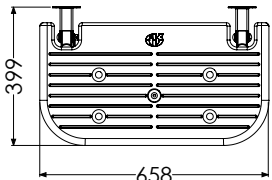
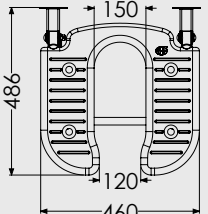
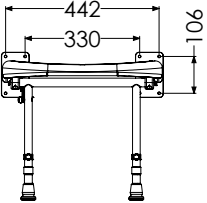
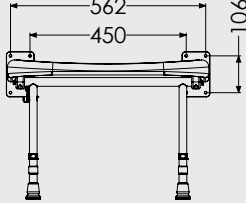
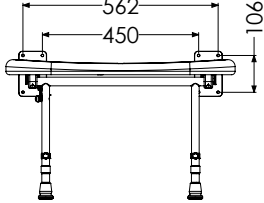
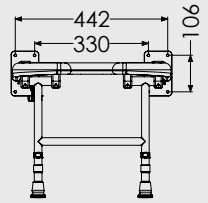
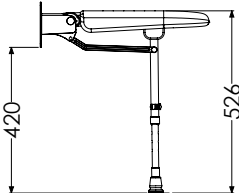
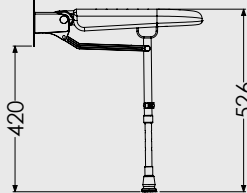
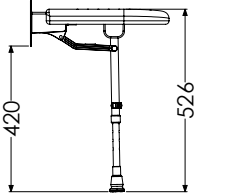
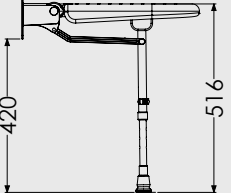
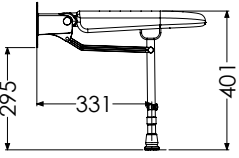
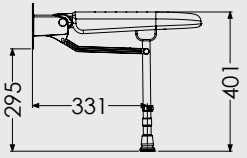
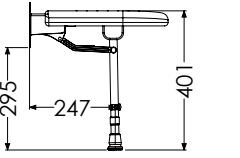
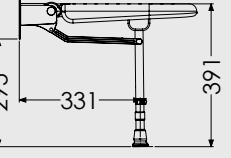
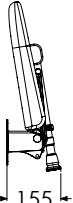


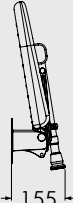
INSTALLATION AND USER MANUAL



Please read all instructions before installation and leave this document with the end user for future reference as it contains important warranty information

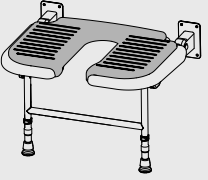
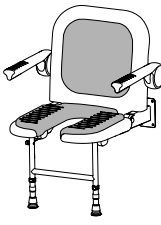
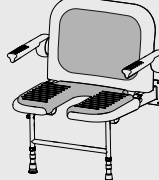
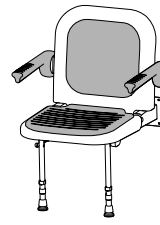
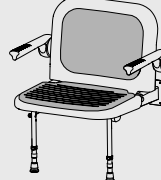
Dimensions

DIMENSIONS

Model	<p style="text-align: center;">Shower Seat</p>  <p style="text-align: center;">White: 04070 Blue Padded: 04070P Grey Padded: 04270P</p>	<p style="text-align: center;">Wide Shower Seat</p>  <p style="text-align: center;">White: 04110 Blue Padded: 04110P Grey Padded: 04210P</p>	<p style="text-align: center;">Extra Wide Shower Seat</p>  <p style="text-align: center;">White: 04570 Blue Padded: 04580P Grey Padded: 04570P</p>	<p style="text-align: center;">Horseshoe Shower Seat</p>  <p style="text-align: center;">White: 04100 Blue Padded: 04100P Grey Padded: 04200P</p>
Seat Size				
Mounting Hole				
Maximum Height				
Minimum Height				
Folded Size				

Parts Included: 4000 Series Seat, Retainer Caps X8, Hole Reducers X8, Swappable Long Legs.

Optional: Seat Pads (P)

Wide Horseshoe Shower Seat  <p>White: 04120 Blue Padded: 04120P Grey Padded: 04220P</p>	Horseshoe Shower Chair  <p>White + Blue Arms: 04160 White + Grey Arms: 04260 Blue Pads + Blue Arms: 04160P Grey Pads + Grey Arms: 04260P</p>	Wide Horseshoe Shower Chair  <p>White + Blue Arms: 04150 White + Grey Arms: 04250 Blue Pads + Blue Arms: 04150P Grey Pads + Grey Arms: 04250P</p>	Shower Chair  <p>White + Blue Arms: 04130 White + Grey Arms: 04230 Blue Pads + Blue Arms: 04130P Grey Pads + Grey Arms: 04230P</p>	Wide Shower Chair  <p>White + Blue Arms: 04140 White + Grey Arms: 04240 Blue Pads + Blue Arms: 04140P Grey Pads + Grey Arms: 04240P</p>

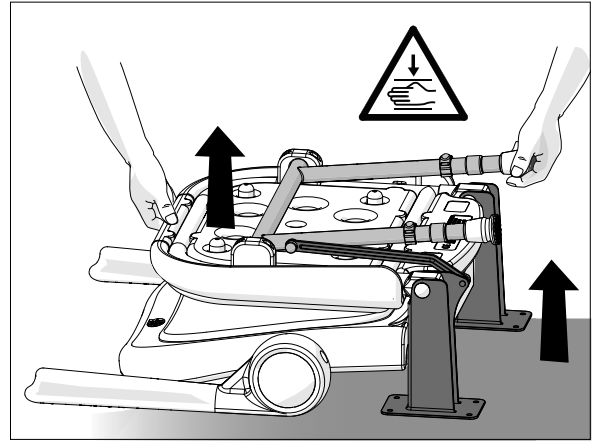
Dimensions shown are without Seat Pads (P). Pad Thickness: Seat 15mm, Horseshoe Seat 20mm, Back 10mm. Dimensions shown are with short legs. Long legs: +125mm.

Essential Installer Information

Safe Handling Operation

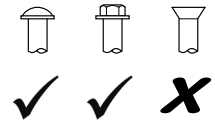
- Always hold the seat and legs as shown in the picture if opening the seat when inverted.
- Never force the legs apart or open the seat by lifting only the legs.

- 1 Lay the seat on its back on the floor. When placed on the floor, the legs are locked down by the mechanism. Lift the seat base and legs up together.



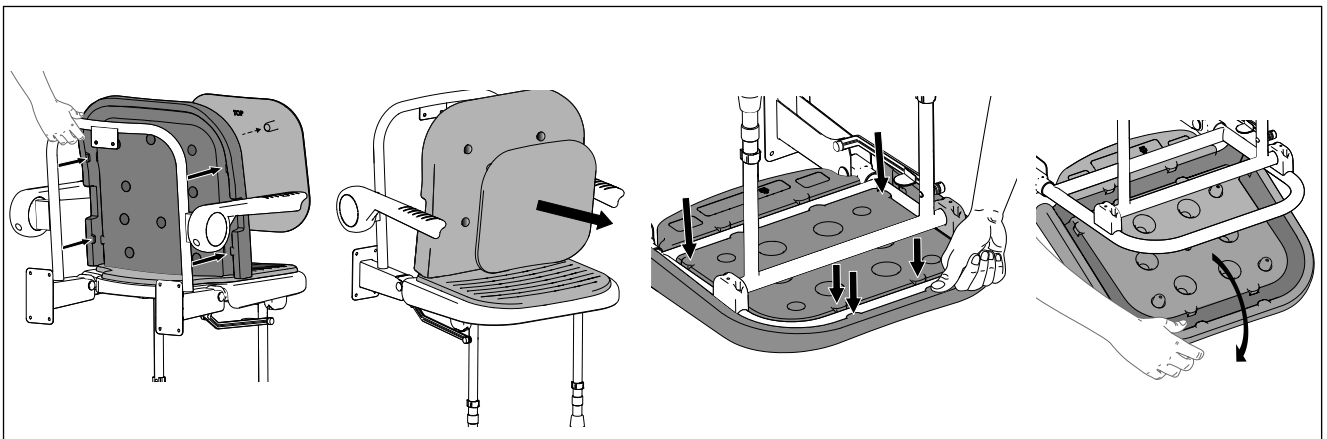
This seat must be attached to a finished vertical surface, capable of supporting the specified weight limits using suitable fixings appropriate to the type of surface and loading conditions to be applied. Check that the floor surface is suitable for the feet loading conditions. Acrylic shower trays are not recommended.

- Never exceed the weight capacity of 40 stone (254 kg) (560 lb)
- Do not use fixings with countersunk heads.
- Take care not to damage the painted surface on the brackets.
- Make sure that all fixing holes are used.
- Stainless steel fixings are recommended but not supplied.
- Once installed check that the plastic pivot caps are firmly in place and the leg C-clips are installed.



Remove the Seat cushions and mouldings

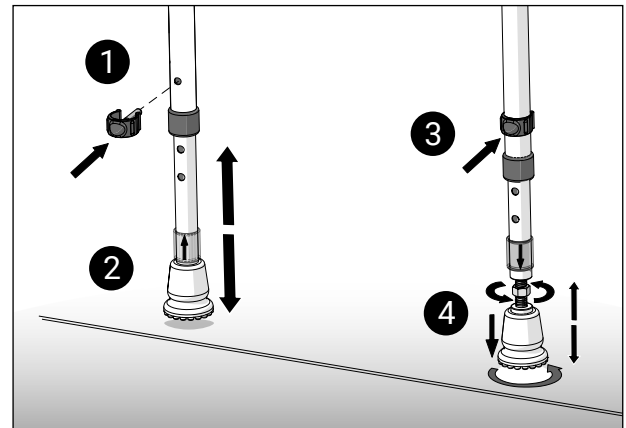
Un-clip the seat moulding from the mounting frame to gain access to the mounting brackets by pushing the moulding clips from the rear or underneath the frame.



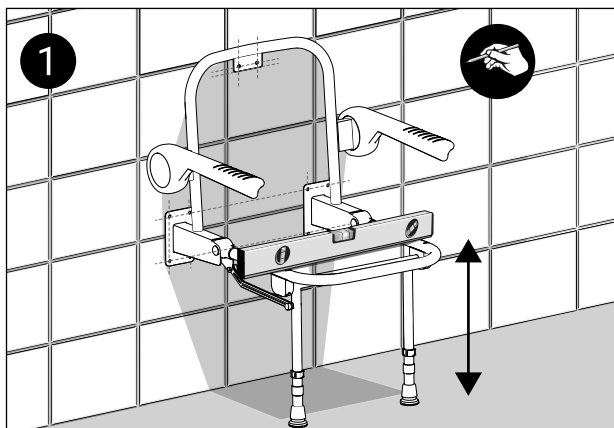
The support legs must not exceed a maximum of 1 in 40 shower base slope when placed in the down position. Curved surfaces such as corners of bathtubs are not acceptable.

Adjust support legs ensuring that both legs sit firmly on a flat surface.

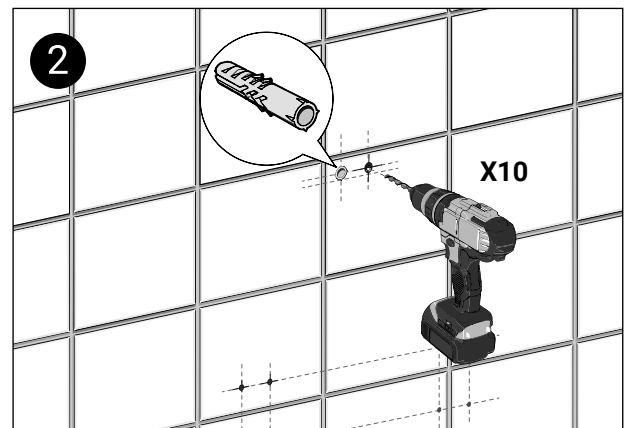
1. Remove the leg C-clips.
2. Adjust the leg height to the desired height when the seat is level in the down position.
3. Insert C-clips.
4. Unscrew the adjustment foot until this is tight against the floor and lock the foot with the nut tightened up with a spanner.



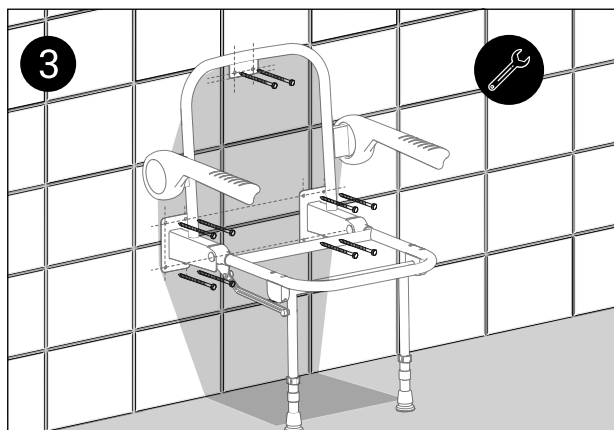
Installation



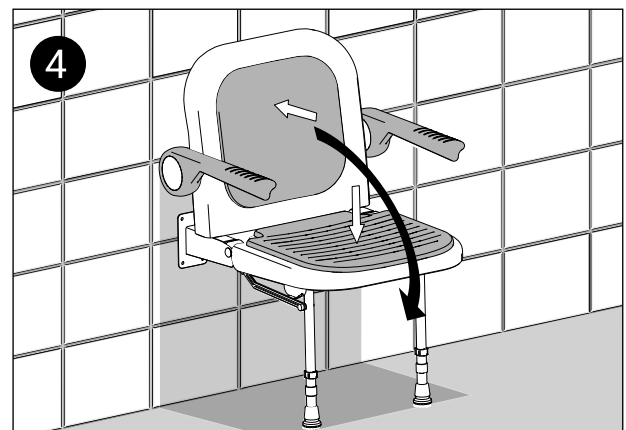
Mark the desired position of the mounting brackets on the wall ensuring the seat is level. Adjust the feet to make finer adjustment.



Check for cables and pipework before drilling. Drill the holes with a suitable wall/tile drill bit and insert wall plugs.



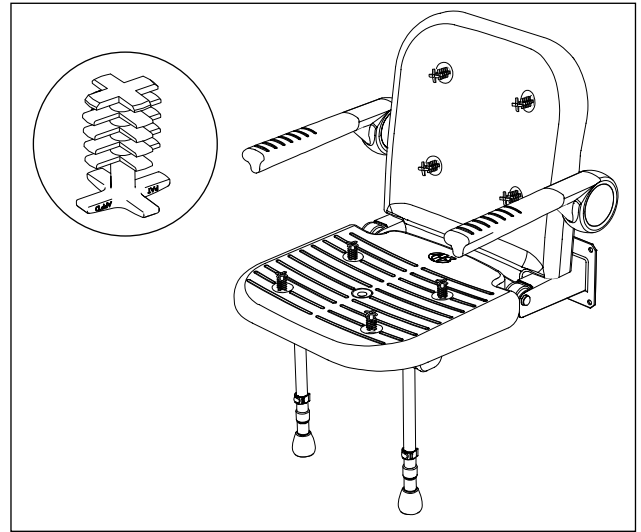
Use suitable wall fixings to secure the mounting brackets to the wall. Do not use countersunk screws.



Ensure all fixings are secure. Re-attach the seat mouldings onto the frame and ensure the feet are flat against the floor surface.

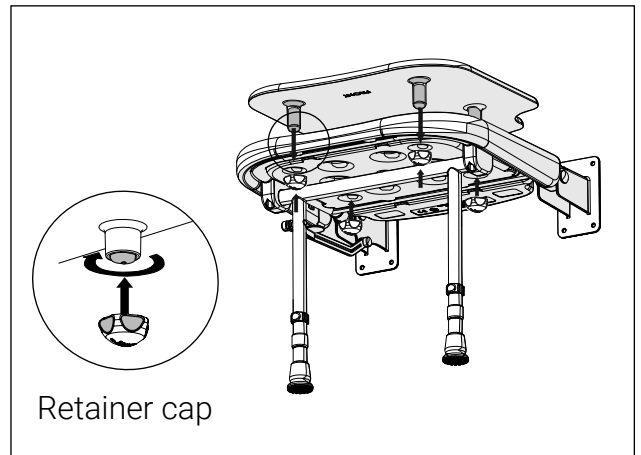
Cushion/Pad Assembly

- 1 Fit hole reducers x8 to ALL holes if cushions are not used. Remove them if cushion is used.

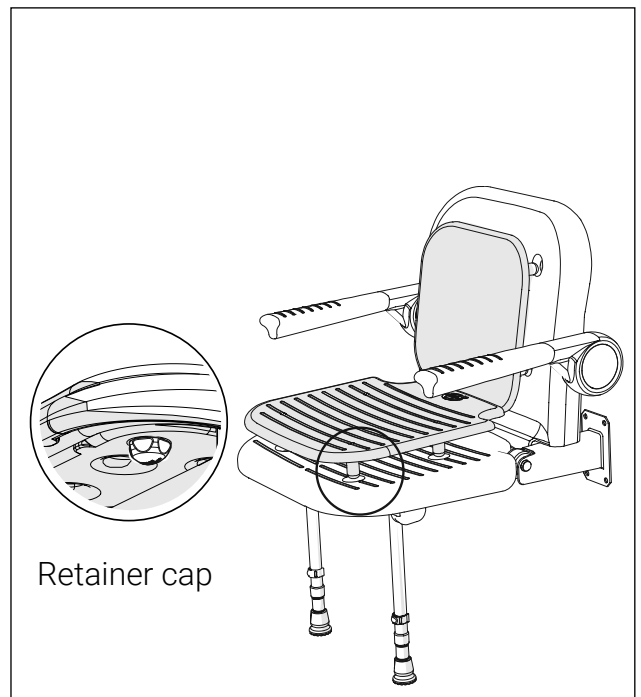


- 2 Note: the position of the front and top pads are indicated. The seat pad retainer caps are fitted from underneath the seat. Each pad has locating bungs that use a retainer cap (4 in total).

To fit the retainer cap, it should be rotated in a clockwise direction whilst applying firm pressure towards the seat pad until secure.



- 3 The seat pad may need to be held in position whilst the retainer caps are fitted. The retainer cap should be hand tightened so that it is a secure fit. Be careful not to overtighten the retainer caps.



Shower Seat Use

The shower seat must be used only for the task it is intended to perform.

Do not stand on it or misuse it. This may have serious detrimental effects on its performance and safety. If any maintenance is required, it must be carried out by a competent installer.

It is advised that this product should be checked as part of a planned maintenance programme. Children and other users may require supervision when using this product.

Keeping your AKW Shower Seat Clean

This product should be cleaned periodically to remove any accumulation of hair or other waste material, using normal domestic bathroom cleaning materials. It is important to keep areas such as seals and moving parts clear from build up of grime and water deposits to maintain good working order.

Always rinse the shower seat with warm water. After cleaning, always flush down with water then wipe thoroughly with a damp cloth to remove any cleaning material residues before drying off.

Disinfecting

Where disinfecting is necessary, standard established procedures for disinfecting equipment should be used with due care and attention taken of the warnings concerning possible effects of aggressive chemicals on plastics.

Do not use strong or concentrated acidic, alkaline, or other cleaning materials on an abrasive pad as these may discolour or damage the product. If more thorough cleaning is needed using domestic cleaning products always test on a small area first.

Packaging

Packaging should be disposed of in accordance with local recycling regulations.

Further information

These instructions are provided to advise the minimum standards of installation and recommend what the best practice for the installation is. Therefore due to the very wide variability of possible installation conditions, AKW cannot provide all circumstances for the installation. AKW cannot accept any liability in connection with this information or its use.

This information is provided on the condition that the person receiving it shall make his/her own tests to determine the suitability for his/her particular purpose. Failure to install this AKW product in accordance with supplied instructions or the making of unauthorised modifications will invalidate any warranty and may affect product safety. None of the foregoing affects your statutory rights.

Contact Us

AKW[®]
Life Made Better

Orders & Quotes

01905 823 299
orders@akw-ltd.co.uk

General Enquiries

01905 823 298
sales@akw-ltd.co.uk

Technical Enquiries

01905 560 219
tech@akw-ltd.co.uk

Kitchen Enquiries

01905 823 262
kitchens@akw-ltd.co.uk

Fax

01905 823 297

AKW

Pointon Way, Hampton Lovett
Droitwich Spa, WR9 0LR

www.akw-ltd.co.uk
orders.akw-ltd.co.uk

Follow us on Social:



Guarantee

The life time guarantee applies only to manufacturing or material defects, conditional on the one-time correct installation of the product.

Does not apply to:

- Inappropriate use or accidental damage.
- Damage or defects that result from incorrect installation.
- Lack of maintenance including the build up of grime or damage resulting from inappropriate cleaning.
- Damage or defects that result from repairs or modifications undertaken by unauthorised persons.
- This guarantee excludes general wear and tear through usage and does not apply to surface finishes.

What to do if something goes wrong?

In the event that you should encounter a problem with this product, please contact your local installer and if this does not resolve the issue, then contact AKW technical team who will provide further advice and, if necessary, arrange for a maintenance engineer to visit and report any issues. See the T&Cs on our website or our catalogue for further information. None of the foregoing affects your statutory rights.